

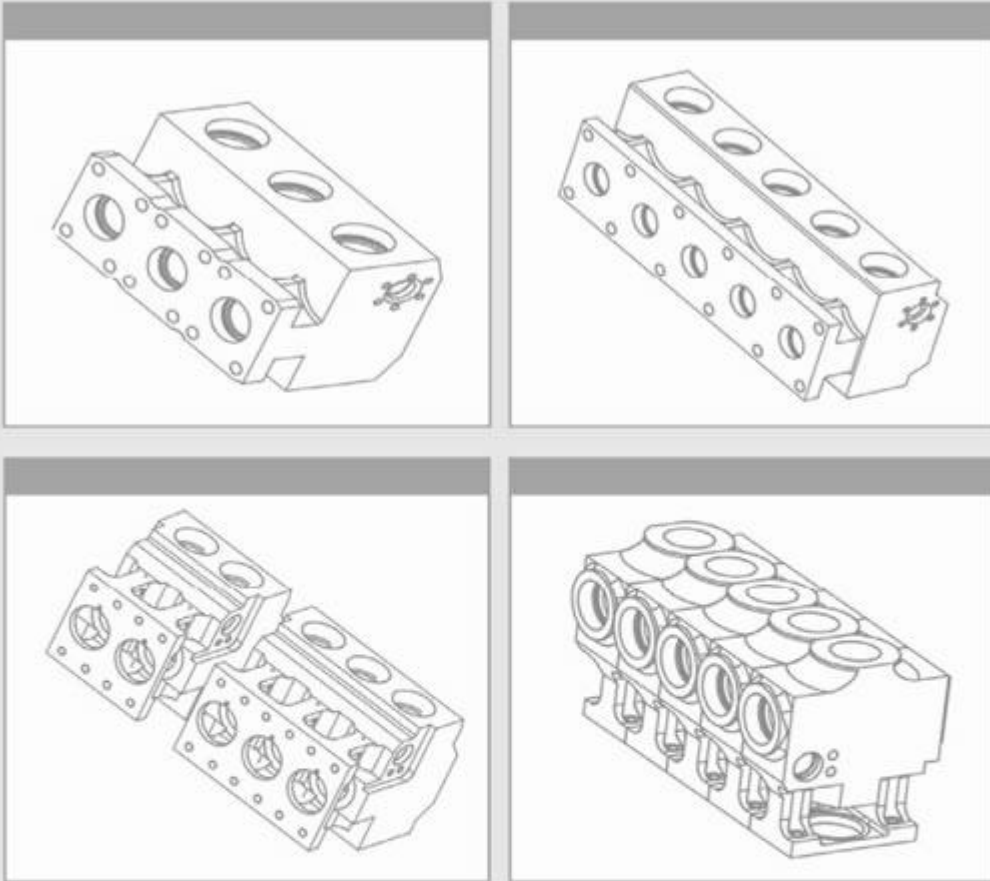
Fluid End Assembly Accessories Element

- Fluid End Assembly, Accessories & Parts
- Combined Fluid End Assembly, Accessories & Parts

Fluid End Assembly, Accessories & Parts

Chenglin manufactured reciprocating plunger pump (Triplex pump & quintuplex pump), pump fluid end (and combined pump fluid end) assembly as well as accessories and parts are used in various applications including cementing, acidizing and fracturing.



Combined Fluid End Assembly, Accessories & Parts
Combined Fluid End Assembly, Accessories & Parts


Size(in)	CWP [®]	Remarks
4"	15000PSI	Quintuplex(Combined)
3 ¾"-4"	15000PSI	Quintuplex
4 ½"	15000PSI	Triplex
3 ½"-5"	10000PSI	Triplex
4 ½"	10000PSI	Triplex(Combined)
4"	15000PSI	Triplex
3 ¾"	20000PSI	Quintuplex

※CWP: Cold working pressure

Fluid End Assembly Accessories Element

<http://www.haimotech.com/Products-and-Services/Fracturing-Equipment-and-Services/Fluid-End-Assembly-Accessories-Element.html>

E-mail: sales@haimotech.com